

TB964_M5_Long Shaped Open Edge Loose Tank

Description		S	M
A	Length	cm	83 85
B	1/2 Chest Width	cm	49.5 52
B2	1/2 Chest Width (1/2 Armhole)	cm	33.5 36
C	1/2 Hem Width	cm	53.5 56
D	1/2 Shoulder Width	cm	36.5 39
E		cm	
F		cm	
G	1/2 Armhole Straight	cm	32 33
H	Shoulder Strap Width	cm	5 5.5
I	Neckhole	cm	28 29
J	Front Neckdrop (HPS to edge)	cm	20 21
K	Back Neckdrop (HPS to edge)	cm	8.5 9
L	Hem Height	cm	2.5 2.5
M		cm	
N		cm	
O		cm	
P		cm	
R		cm	
S		cm	

Comments

Fitting

Article Description

Fabric

Colors

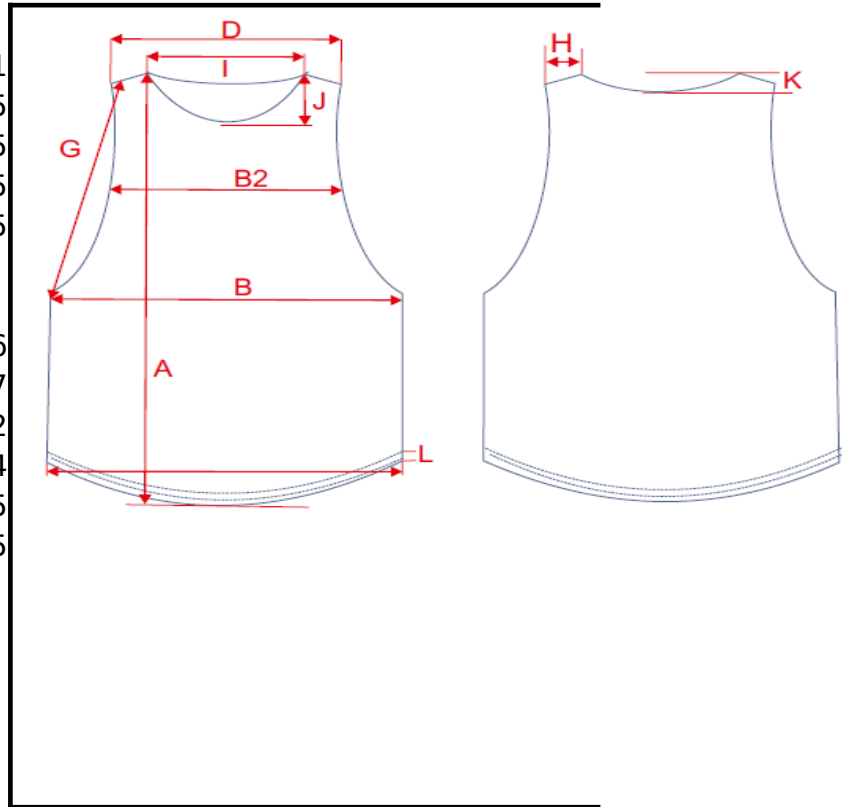
Regular Fit

Loose Tank, long cut, shap

140 GSM 100% Cotton

Black, White, Grey

L	XL	XXL
87	89	91
54.5	57	59.5
38.5	41	43.5
58.5	61	63.5
41.5	44	46.5
34	35	36
6	6.5	7
30	31	32
22	23	24
9.5	10	10.5
2.5	2.5	2.5



ed hem, open edges at the armholes and neckhole
